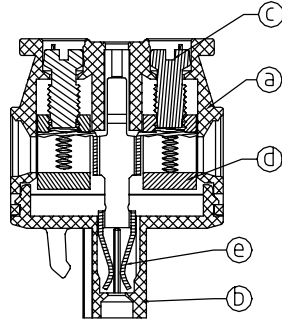


SIGN	DATE	DESCRIPTION	APPROVER
THIS IS CAD DRAWING, DO NOT REVISE MANUALLY!!!			

- Material**
- Item ① Terminal up housing: Thermoplastic (UL94V-0)
  - Item ② Terminal down housing: Thermoplastic (UL94V-0)
  - Item ③ Terminal screw: Steel, Zinc plating "-" slot type
  - Item ④ Clamp: Brass, Ni plated
  - Item ⑤ Male contact pin: PhBz, Tin plated

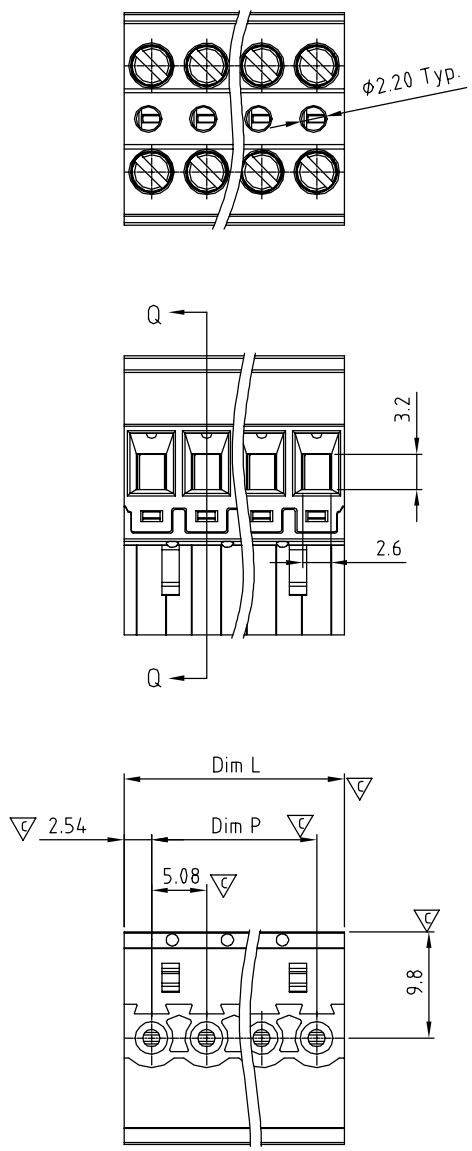
- Electrical** cULus
- Voltage rating: 300V
  - Current rating: 12A
  - Solid wire (AWG): 12-24
  - Stranded wire (AWG): 12-24
  - Torque (Lb-In): 4.3
  - Screw: M3
  - Wire strip length: 6-7mm
  - Withstanding Voltage: 1.6KV
  - Operating temperature: -40°C to +115°C
  - Critical dimension: ▽



SECTION Q-Q

**K5 xx 51 x 0 xxxx G**

- No. OF POLES: 02 2 CONTACTS, 03 3 CONTACTS, ... 24 24 CONTACTS
- Color: 0 Black (RAL9005), 2 Red (RAL3001/D), 3 Orange (RAL2011/P), 4 Yellow (RAL1018/A), 5 Green (RAL6018/T), 6 Blue (RAL5015/A), 8 Grey (RAL7035/D), C Green (RAL 6018/U)
- G: Pb<40000ppm
- 0000: "@" Logo (Standard)
- 000A: "ANYTEK" Mark
- Any special item by customer request. please contact sales department.



N=NUMBER OF POLES

Dim L	N×5.08
Dim P	(N-1)×5.08

	TOL			
	2P-6P	7P-12P	13P-18P	19P-24P
Dim L	±0.15	±0.25	±0.35	±0.40
Dim P	±0.15	±0.25	±0.35	±0.40

<b>ANYTEK</b>				<b>CUSTOMER COPY</b>			
ALL RIGHTS RESERVED. REPRODUCTION OR ISSUE TO THIRD PARTIES IN ANY FORM WHATSOEVER IS NOT PERMITTED WITHOUT WRITTEN AUTHORITY FROM THE PROPRIETOR. PROPERTY OF ANYTEK TECHNOLOGY CO., LTD							
TITLE	K5 - 5.08 Series 2P-24P "-" screw ( Without flange )						
PART NO.	K5xx51x0xxxxG			DWG NO.	8K50001		
APPROVED	CHECKED	DESIGNED	DRAWN	CUST NO.	Tolerance		
		Aaron 2011.09.22	Aaron 2011.09.22		X. ±0.50		
					X.X ±0.30		
					X.XX ±0.10		
					X° ±1°		
				SHEET: 01/01	REV.: B		